



Technical Data Sheet

T-Filter Housings: 110, 112, 114, 116

Filter Housing	110	112	114	116
Port Size - NPT	1/8"	1/4"	1/8"	1/4"
Drain Size – NPT	1/8"	1/4"	None	
Max. Pressure	340 Bar			
Max. Temp.	200 °C			
Height	Approx. 74 mm			
Diameter	40 mm			
Min Clearance for Bowl Removal	40 mm			
Mounting Holes	M5			
Material	SS316L			
Internal Volume	Approx. 20 ml			
Weight	Approx. 300 g			

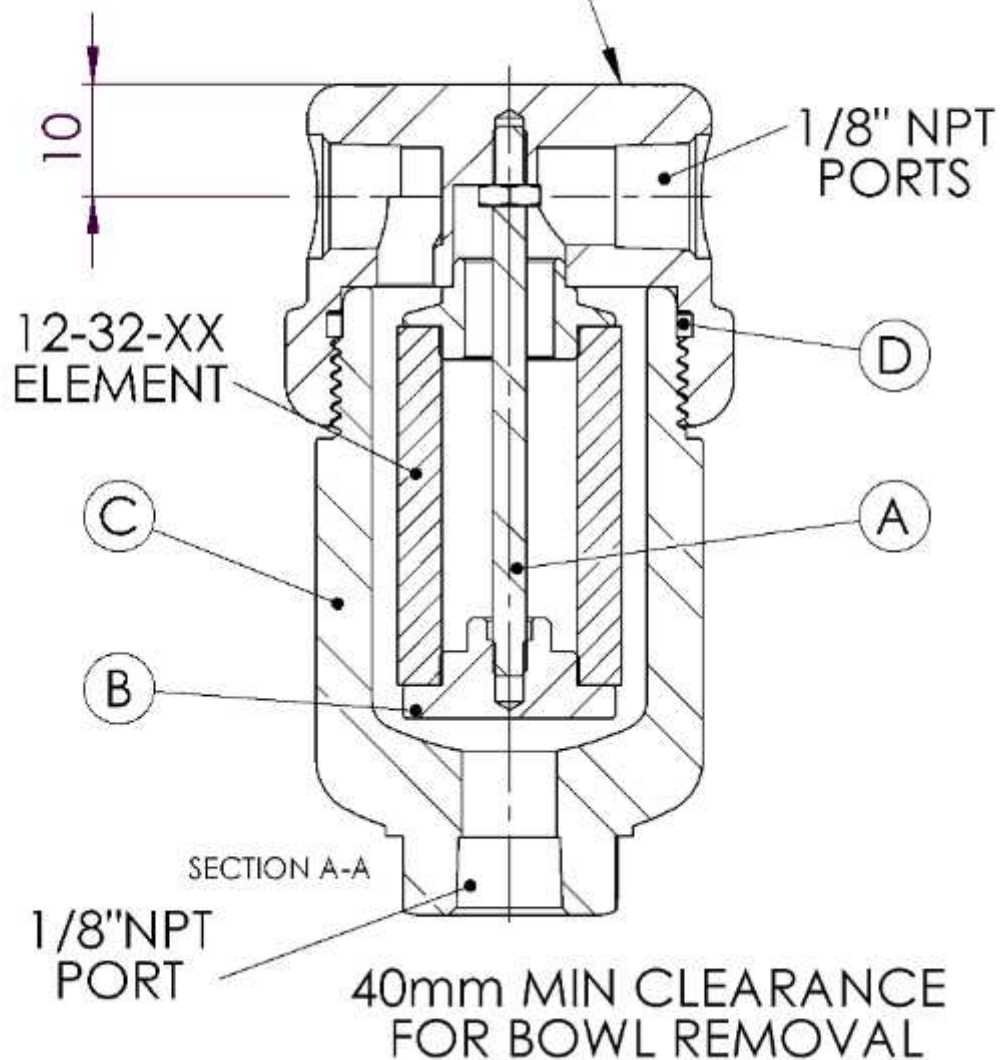
Available O-Rings (D)	
Viton [Standard]	GV110
Nitrile	GN110
Silicone	GS110
FFPM	KZ110

Replacement Parts	
Tie Rod (A)	TR110
Element Retainer (B)	ER110
Support Core	SC110
Bowl (C)	SSB110      SSB112      SSB114
Mounting Bracket	MB110

Filter Elements	
Inner Diameter	12 mm
Outer Diameter	32 mm
Filter Surface	Approx. 12 cm <sup>2</sup>
Code	(XX)12-32-XX(X)

## TYPE 110

2 MOUNTING HOLES  
M5-0.8 x 10 DEEP  
ON 25.4mm CENTRES  
@ 90° TO PORTS





Technical Data Sheet

T-Filter Housings: 120, 122, 124, 126

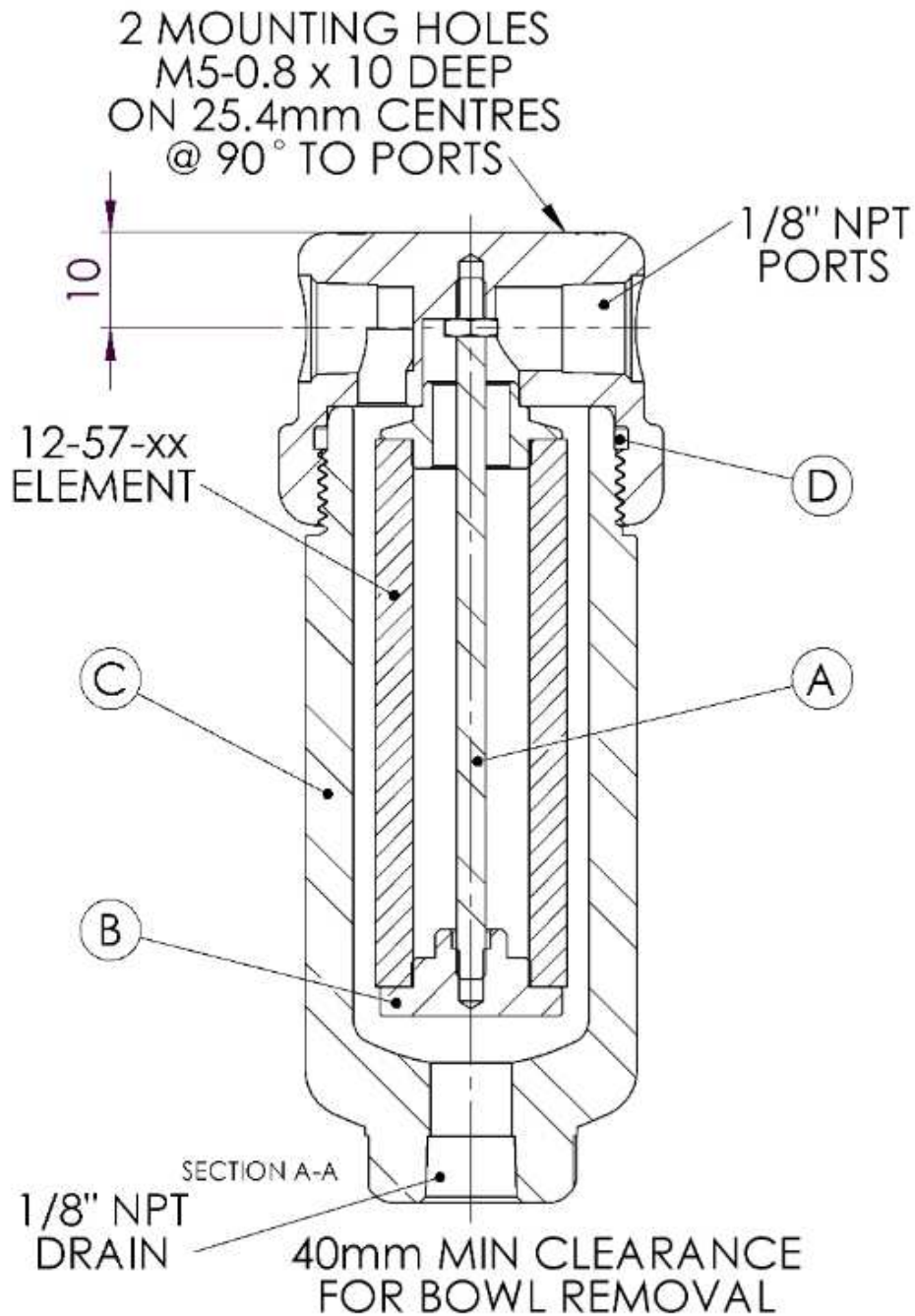
Filter Housing	120	122	124	126
Port Size - NPT	1/8"	1/4"	1/8"	1/4"
Drain Size – NPT	1/8"	1/4"	None	
Max. Pressure	340 Bar			
Max. Temp.	200 °C			
Height	Approx. 101 mm			
Diameter	40 mm			
Min Clearance for Bowl Removal	63 mm			
Mounting Holes	M5			
Material	SS316L			
Internal Volume	Approx. 30 ml			
Weight	Approx. 400 g			

Available O-Rings (D)	
Viton [Standard]	GV110
Nitrile	GN110
Silicone	GS110
FFPM	KZ110

Replacement Parts	
Tie Rod (A)	TR120
Element Retainer (B)	ER110
Support Core	SC120
Bowl (C)	SSB120      SSB122      SSB124
Mounting Bracket	MB110

Filter Elements	
Inner Diameter	12 mm
Outer Diameter	57 mm
Filter Surface	Approx. 21 cm <sup>2</sup>
Code	(XX)12-57-XX(X)

## Type 120





Technical Data Sheet

T-Filter Housings: 130, 132, 133, 134, 136

Filter Housing	130	132	133	134	136
Port Size - NPT	1/4"	1/2"	1/2"	1/4"	1/2"
Drain Size – NPT	1/4"	1/4"	1/2"	None	
Max. Pressure	100 Bar				
Max. Temp.	200 °C				
Height	Approx. 122 mm				
Diameter	63.5 mm				
Min Clearance for Bowl Removal	55 mm				
Mounting Holes	M6				
Material	SS316L				
Internal Volume	Approx. 110 ml				
Weight	Approx. 700 g				

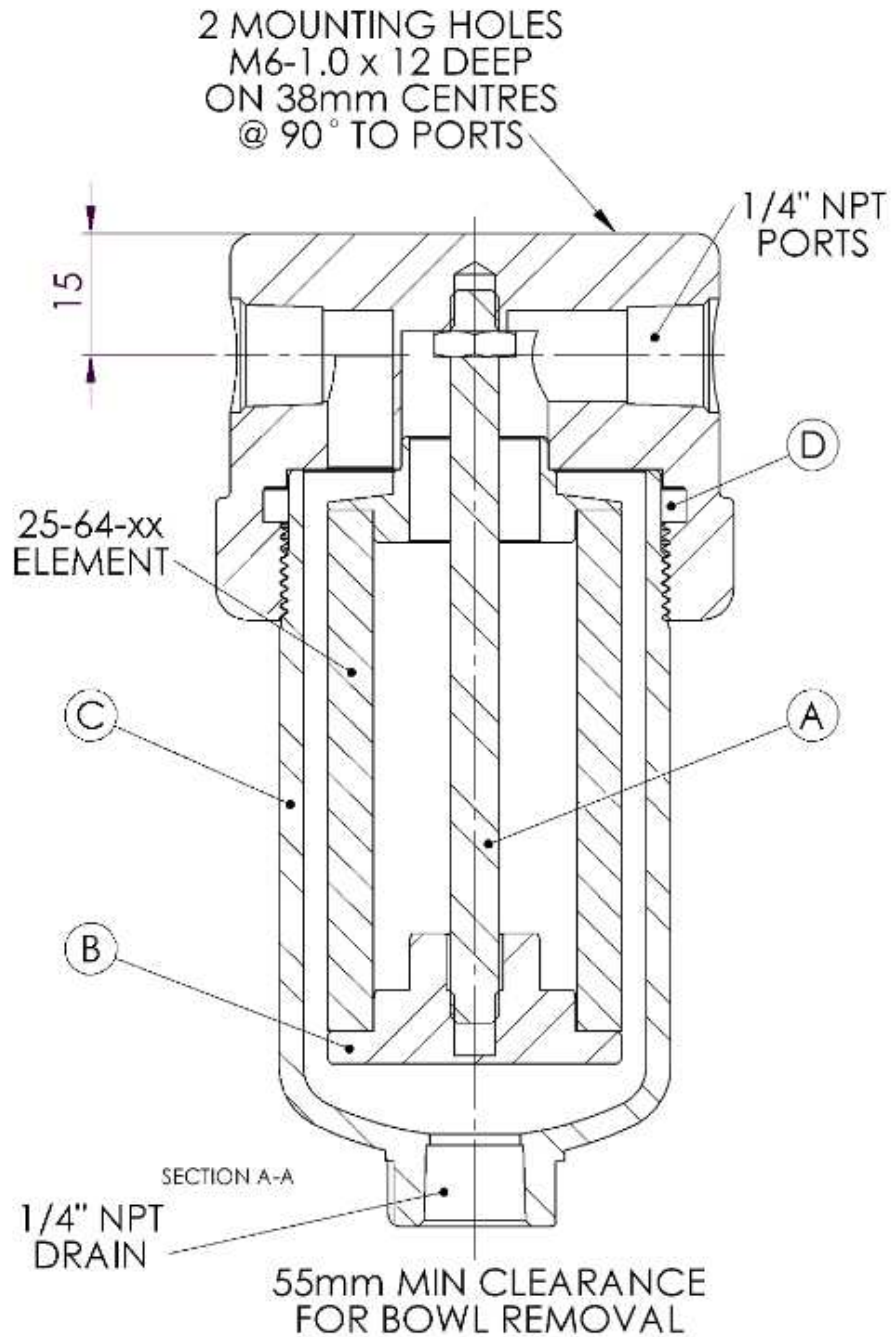
Available O-Rings (D)	
Viton [Standard]	GV130
Nitrile	GN130
Silicone	GS130
FFPM	KZ130

Replacement Parts	
Tie Rod (A)	TR130
Element Retainer (B)	ER130
Support Core	SC130
Bowl (C)	SSB130      SSB133      SSB134
Mounting Bracket	MB130

Filter Elements	
Inner Diameter	25 mm
Outer Diameter	64 mm
Filter Surface	Approx. 50 cm <sup>2</sup>
Code	(XX)25-64-XX(X)



Type 130





Technical Data Sheet

T-Filter Housings: 140, 142, 143, 144, 146

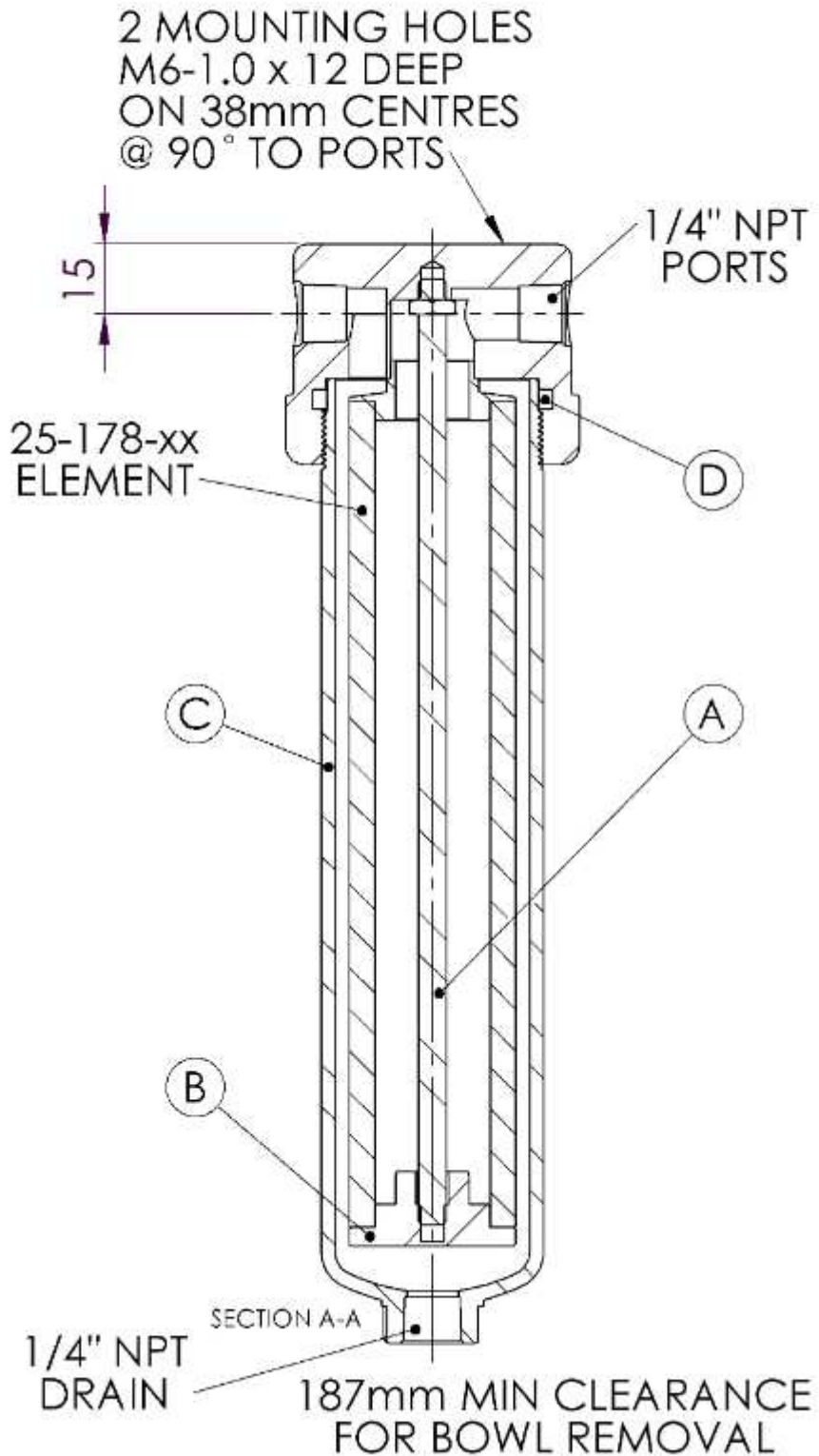
Filter Housing	140	142	143	144	146
Port Size - NPT	1/4"	1/2"	1/2"	1/4"	1/2"
Drain Size – NPT	1/4"	1/4"	1/2"	None	
Max. Pressure	100 Bar				
Max. Temp.	200 °C				
Height	Approx. 237 mm				
Diameter	63.5 mm				
Min Clearance for Bowl Removal	187 mm				
Mounting Holes	M6				
Material	SS316L				
Internal Volume	Approx. 260 ml				
Weight	Approx. 1.1 kg				

Available O-Rings (D)	
Viton [Standard]	GV130
Nitrile	GN130
Silicone	GS130
FFPM	KZ130

Replacement Parts	
Tie Rod (A)	TR140
Element Retainer (B)	ER130
Support Core	SC140
Bowl (C)	SSB140      SSB143      SSB144
Mounting Bracket	MB130

Filter Elements	
Inner Diameter	25 mm
Outer Diameter	178 mm
Filter Surface	Approx. 140 cm <sup>2</sup>
Code	(XX)25-178-XX(X)

Type 140







Technical Data Sheet

T-Filter Housings: 150, 151, 152

Filter Housing	150	151	152
Port Size - NPT	1"	1 1/2"	2"
Drain Size – NPT	1/4"		
Max. Pressure	100 Bar		
Max. Temp.	200 °C		
Height	Approx. 382 mm		Approx. 402 mm
Diameter	110 mm		120 mm
Min Clearance for Bowl Removal	247 mm		
Mounting Holes	M10		
Material	SS316L		
Internal Volume	Approx. 1500 ml		
Weight	Approx. 9 kg		

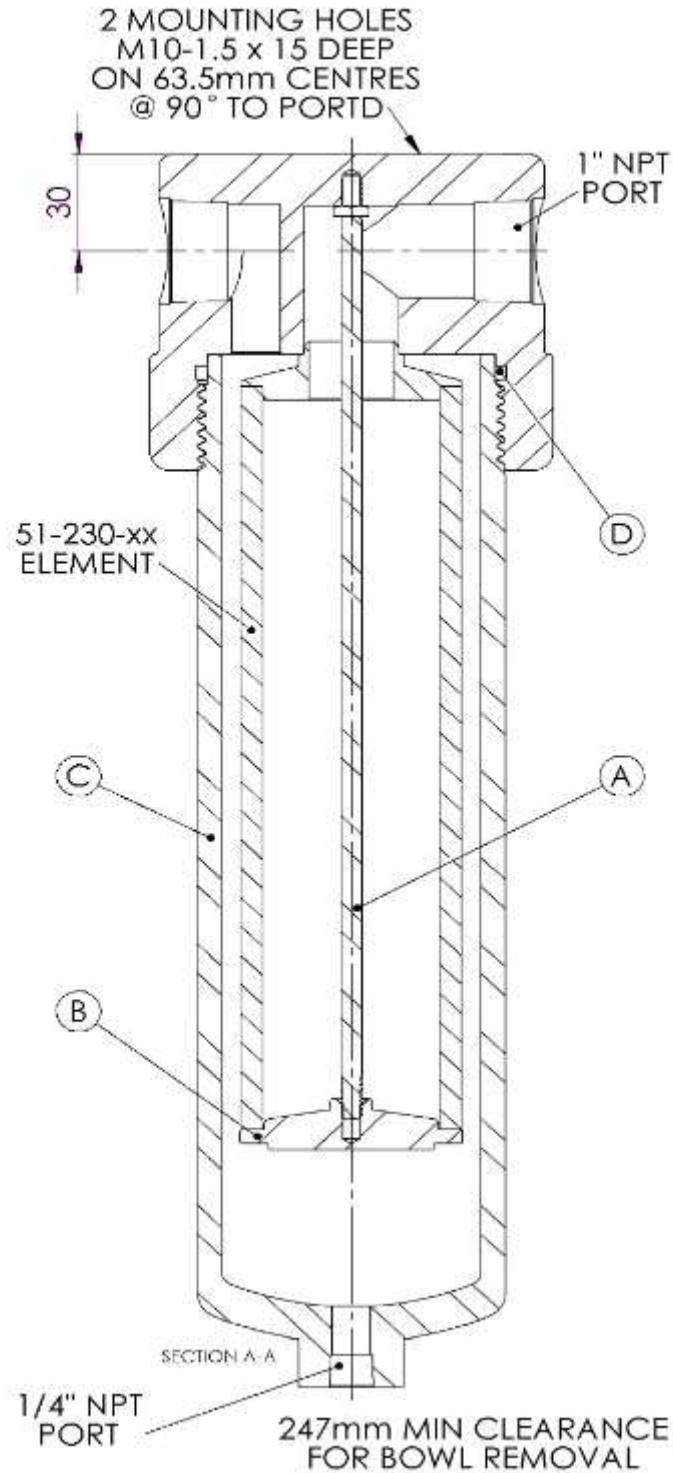
Available O-Rings (D)	
Viton [Standard]	GV150
Nitrile	GN150
Silicone	GS150
FFPM	KZ150

Replacement Parts	
Tie Rod (A)	TR150
Element Retainer (B)	ER150
Support Core	SC150
Bowl (C)	SSB150
Mounting Bracket	MB150

Filter Elements	
Inner Diameter	51 mm
Outer Diameter	230 mm
Filter Surface	Approx. 370 cm <sup>2</sup>
Code	(XX)51-230-XX(X)



Type 150





Technical Data Sheet

T-Filter Housings: 160, 161, 162

Filter Housing	160	161	162
Port Size - NPT	1"	1 1/2"	2"
Drain Size – NPT	1/4"		
Max. Pressure	100 Bar		
Max. Temp.	200 °C		
Height	Approx. 622 mm		Approx. 642 mm
Diameter	115 mm		120 mm
Min Clearance for Bowl Removal	492 mm		
Mounting Holes	M10		
Material	SS316L		
Internal Volume	Approx. 2700 ml		
Weight	Approx. 18 kg		

Available O-Rings (D)	
Viton [Standard]	GV150
Nitrile	GN150
Silicone	GS150
FFPM	KZ150

Replacement Parts	
Tie Rod (A)	TR160
Element Retainer (B)	ER150
Support Core	SC160
Bowl (C)	SSB160
Mounting Bracket	MB150

Filter Elements	
Inner Diameter	51 mm
Outer Diameter	476 mm
Filter Surface	Approx. 760 cm <sup>2</sup>
Code	(XX)51-476-XX(X)

## Type 160

